



P. O. Box 1201
Enfield, CT 06083
Ph : (860) 627-6870

Change Request

To: Loren Compson
Pacheco Ross Architects, P.C.
72 Voorheesville Avenue
PO Box 558
Voorheesville, NY 12186
Ph: (518)765-5105 Fax: (518)765-5107

Number: 7
Date: 7/7/14
Job: 14-009 Thompsonville Fire Station
Phone:

Description: Delete Antenna Mount per CIC 6

We are pleased to offer the following specifications and pricing to make the following changes:

Delete Antenna Mount per CIC 6

The total amount to provide this work is \$-842.00

If you have any questions, please contact me at 860-627-6870.

Submitted by: Kirk Nassetta

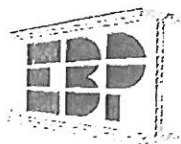
Approved by: _____
Date: _____

Cc:

**Proposed Change Order
Detail Breakdown Sheet**

PCO 7

Direct Costs: Item		PCO \$	
Engineered Building Products			-\$834.00
EBI O&P			\$0.00
SUBTOTAL - SUBS			-\$834.00
EBI - Labor/Materials# Uts		Rate	
Carpenter	0	0	\$0.00
Laborer	0	0	\$0.00
Mason			\$0.00
Equipment			\$0.00
Misc Mtl	0		\$0.00
Superintendent	0	88.75	\$0.00
EBI Overhead and Profit		10%	\$0.00
TOTAL DIRECT COSTS			\$0.00
Indirect Costs:		Hrs	Rate
Project Manager	0	115	\$0.00
Chief Estimator	0	96.5	\$0.00
Project Engineer	0	37.15	\$0.00
			\$0.00
TOTAL INDIRECT COSTS			\$0.00
Bond Premium		1.00%	-\$8.00
TOTALS			-\$842.00



ENGINEERED
BUILDING
PRODUCTS, INC.

18 Southwood Drive
P.O. Box 808
Bloomfield, CT 06002
(860) 243-1110 Phone
(860) 243-1834 Fax

July 2, 2014

Kirk Nasseti
Enfield Builders Inc.
1654 King Street
P.O. Box 1201
Enfield, CT 06083

Regarding: Thompsonville Firestation District #2 CIC #006, Enfield, CT

Kirk,

We are pleased to offer the following proposal Change Order #03 for the credit of (1) Antenna Mount per CIC #006:

Deletion of Steel and Labor

- Furnish and install (1) S.S. 2'-0X3'-0 frame with (2) PS-200-SSX3'-0 Powerstrut
- Refer to attached Estimate for back-up

Summary of Costs

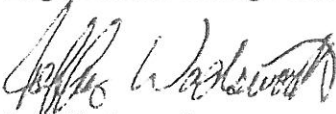
1. 86lbs of S.S. angle at \$3.00/lb	(\$258.00)
2. (2) S.S. Powerstrut X3'-0 at \$20.00/ea	(\$40.00)
3. (2) Galva. 3/8"X0'-7" W/N&W at \$1.00/ea	(\$2.00)
4. (3) S.S. 3/8"X5 1/2" Expansion Anchor at \$3.00/ea	(\$9.00)
5. Detailing	(\$0.00)
6. Shop	(\$225.00)
7. Delivery	(\$0.00)
8. Erection	(\$300.00)
Total	(\$834.00)

The Credit for CIC #006 is \$834.00

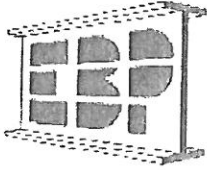
Exceptions, Exclusions, Qualifications

1. No credit for detailing: the antenna support was already detailed
2. No delivery credit: based on combining it with another delivery
3. Excludes all taxes

Sincerely,
Engineered Building Products, Inc.


Jeff Wadsworth

CHANGE IN CONDITION #006
CHANGE IN ANTENNA SUPPORT



Engineered Building Products, Inc.
18 Southwood Drive, Bloomfield, CT 06002
P: (860) 243-1110 F: (860) 243-1834
Web: www.ebpfab.com



Estimate by Line Item

Page 1 of 1

7/2/2014 4:19:16PM

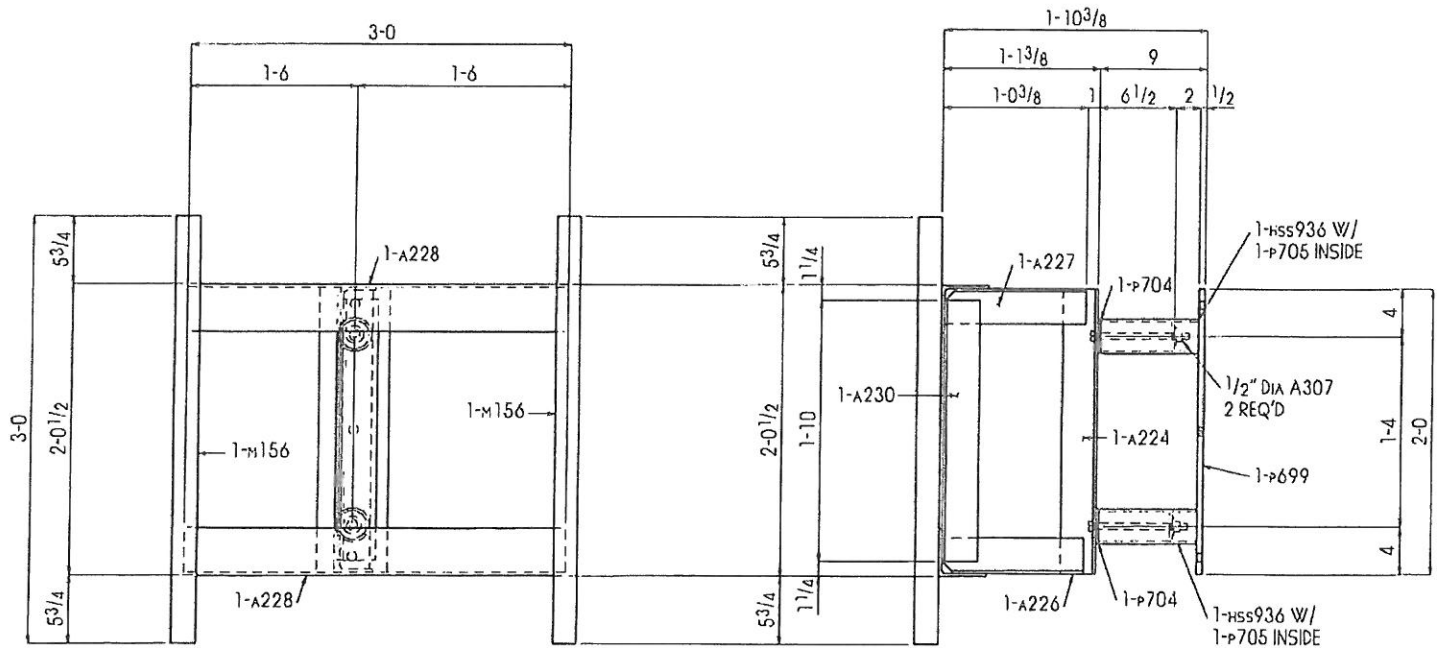
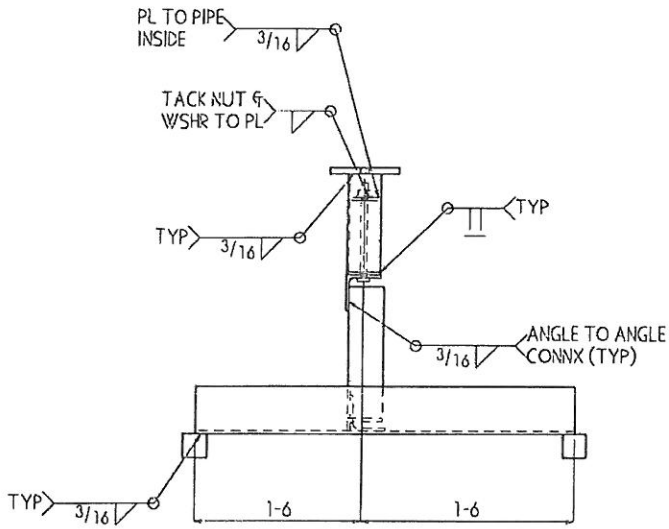
1 THOMPSONVILLE FIRESTATION
ENFIELD, CT

Job: 051013-JW-1

Filter:

Page: 10

Page#	Item#	Qty	Sh	Dimensions	Length	Grade	Type	Cost	Weight	Labor MH	MHrs	SqFt
10	1050	1	SSFB	1/2 x 2	2'-0	SS 316	A	\$0	7#	0.32	0.32-	1
10	1060	2	SSPS	2	1'-0	SS 304	I	\$0	7#	0.17	0.35-	1
10	1070	1	SSL	3 x 3 x 1/4	2'-0	SS 304	H	\$0	10#	0.26	0.26-	2
10	1080	2	SSL	3 x 3 x 1/4	1'-0	SS 304	H	\$0	10#	0.24	0.48-	2
10	1090	2	SSL	4 x 4 x 1/4	3'-2	SS 304	H	\$0	42#	0.32	0.65-	8
10	1100	1	SSL	3 x 3 x 1/4	1'-10	SS 304	H	\$0	9#	0.29	0.29-	2
10	1110	2	MIS	POWER STRUT PS-200 CHANNEL	3'-0	SS 304		\$101	0#	0.15	0.30-	0
10	1120	2	SSPI	3/8 x 2	0'-2	SS 304	A	\$0	1#	0.20	0.39-	0
10	1130	2	BO	3/8 x 0'-5 1/4		A325		\$21	0#	0.00	0.00	0
10	1140	3	EXB	3/8 x 0'-5 1/2		SS		\$91	0#	0.00	0.00	0
		18						\$51	86#		3.03	16
		18						\$51	86#		3.03	16



ONE FRAME 100F1